

Rotary PICK 'N' PLACE RPP Range



The RPP range of Pick 'n Place feeders are a versatile vacuum feeder suitable for many applications. We have placed fridge magnets, business cards, plastic trays, blister packs, Formica samples, mailing pieces and many more. The simple design makes it the most versatile and dependable feeder on the market but flexible enough to handle product from a single sheet of paper to a food grade barrier tray. Speeds up to 600 per min, application dependant.

MATERIALS TYPICALLY HANDLED

- Multifold Coupons
- Labels
- Corrugated
- Parchment Paper
- Paperboard Trays
- Card Stock
- Single Sheet Paper Stock
- Plastic Plates
- Plastic Trays
- Styrofoam Trays
- Foil Trays
- Glassine
- Packets
- Greeting Cards
- Random Cycle Drive
- Right Angle Gearbox Drive
- Shutter and Counter for Batching
- Gast Vacuum Pump
- No Product-No Placement
- Screw Height Adjustment

FEATURES

- Simple design translates to an easy installation.
- High flow vacuum valves allows for higher vacuum control.
- Fixed pin arrangement creates a clean and simple picking motion and requires no lubrication.
- Quick and easy product changeover means less downtime and greater machine efficiency.
- Many options available, allowing the end user to customise the machine to their specific needs.

OPTIONS AVAILABLE

- Machine Orientation
- Adhesive System
- Missed Detection System with or without Buzzer
- Plexiglass Front Guard
- 406, 762, or 1219mm Long Magazine
- Oscillating Rod Magazine
- Parallel Jackshaft Drive
- Quick Change Magazine
- Timing Screw Indexer
- Powered Magazine
- SCR Drive Motor



IMPACT AUTOMATION SOLUTIONS

Unit 2 • 52 Holker St Silverwater NSW 2128 Australia • T +61 (0)2 9648 6000 W www.impactautomation.com.au
Agents for: MGS, Lakewood Process Machinery, AZCO, A-One Packaging, Modular Packaging

Rotary PICK 'N' PLACE RPP Range



TYPICAL POWER REQUIREMENTS

- ELECTRICAL: 115 VAC 12 Amps Max (with optional 1/3 Hp Gast pump)
- AIR: 80 PSI Filter and Regulator Provided
- VACUUM: Up To 10 SCFM At 20" HG (if optional pump is not purchased)

MAXIMUM SPEEDS

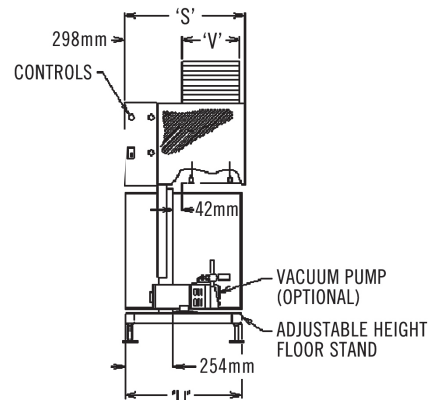
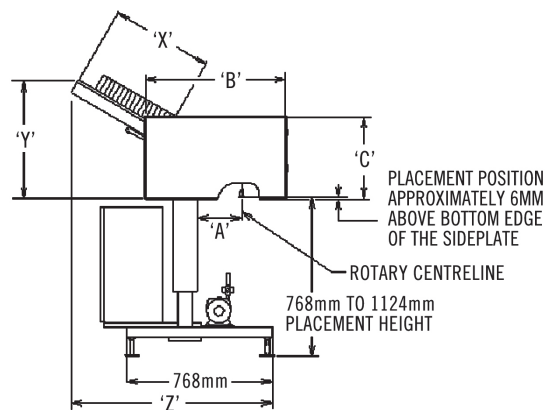
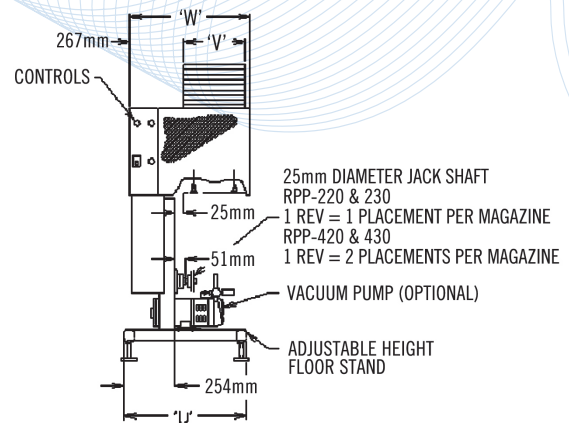
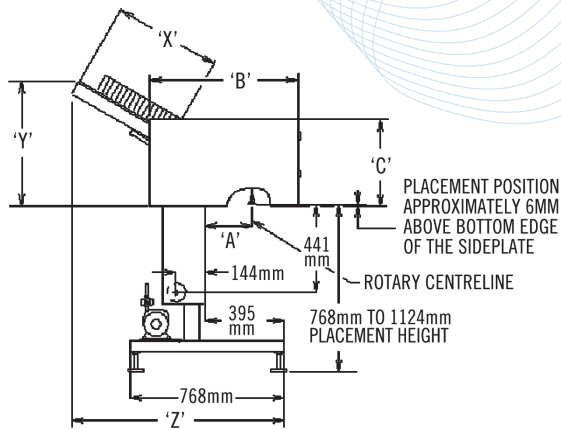
- 250 Cycles Per Minute / Model 231
- 300 Cycles Per Minute / Model 221
- 500 Cycles Per Minute / Model 431
- 600 Cycles Per Minute / Model 421

PRODUCT SIZE RANGE

- Minimum: 25mm x 25mm
- Width: 180mm and 304mm wide magazines are available. The maximum product height is the same.

Maximum Heights By Model:

RPP-421	101mm
RPP-221	152mm
RPP-431	152mm
RPP-231	203mm



BASIC UNIT

MODEL	A	B	C
221, 421	159mm	597mm	330mm
231, 431	235mm	737mm	432mm

MAGAZINE

NOMINAL	V	W	S	X	Y	Z
178mm	178mm	470mm	502mm	413mm	527mm	762mm
305mm	305mm	597mm	629mm	762mm	686mm	1105mm
				1219mm	838mm	1448mm